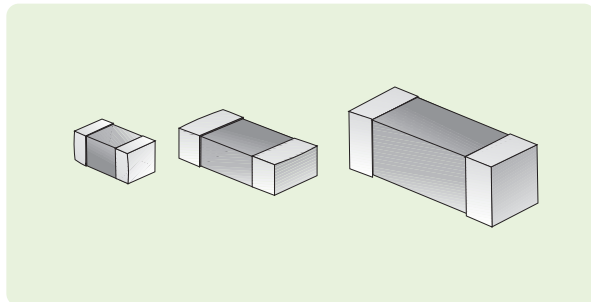


MURATA type BLM

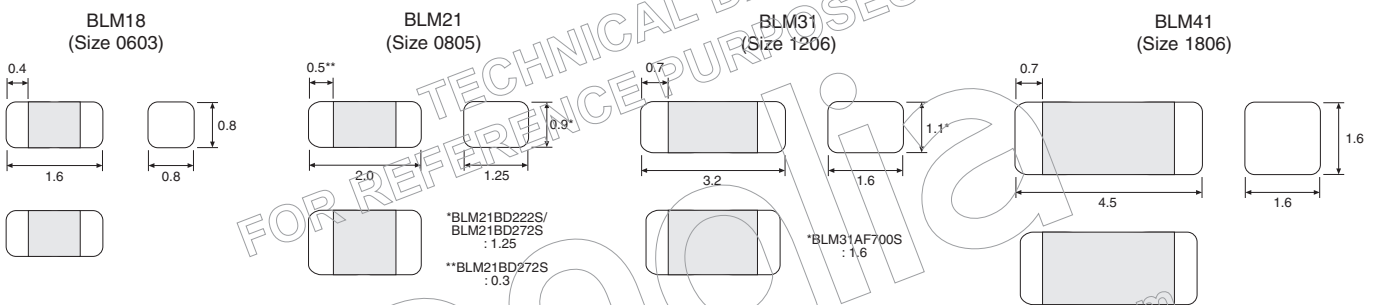
EMIFIL®

A range of surface mount, ferrite bead inductors available in four different chip sizes. Exhibit a high impedance which at high frequencies mainly consists of a resistance element. The range comprises of the type A (general), type B (high frequency), and type P (high current). Supplied taped and reeled.



- ◆ 0603, 0805, 1206 and 1806 chip sizes
- ◆ Choice of general, high frequency and high current types
- ◆ Nickel barrier terminations
- ◆ Suitable for wave & reflow soldering
- ◆ Supplied taped & reeled

Dimensions (mm)



Packaging

TAPE : 8mm wide (BLM41 12mm wide), 4mm pitch REEL : 178mm dia.

TYPE DESIGNATION

- A – general use types, exhibit impedance down to relatively low frequency.
- B – high frequency types, minimise attenuation of signal waveform due to their sharp impedance characteristic.
- P – high current types, offer low dc resistance.

For the very latest information and news on the full range of Murata products available from Anglia, visit our website :

www.anglia.com/murata

Alternatively, contact our Sales Desk to discuss your specific requirements.

MURATA type BLM

BLM18 series, 1.6mm x 0.8mm (0603)

Type	Typ. Impedance at 100MHz (Ω)	Rated Current (mA)	Maximum Signal Frequency (MHz)	Max. DC Resistance (Ω)	Operating Temperature Range (°C)	Manf. Part No. & Anglia Order Code
P	30	1000	-	0.05	-55 to +125	BLM18PG300SN1D
P	60	500	-	0.10	-55 to +125	BLM18PG600SN1D
A	120	200	-	0.20	-55 to +125	BLM18AG121SN1D
A	220	200	-	0.30	-55 to +125	BLM18AG221SN1D
A	600	200	-	0.50	-55 to +125	BLM18AG601SN1D
A	1000	100	-	0.70	-55 to +125	BLM18AG102SN1D
B	75	200	100	0.35	-55 to +125	BLM18BB750SN1D
B	140	200	50	0.55	-55 to +125	BLM18BB141SN1D
B	420	200	20	0.55	-55 to +125	BLM18BD421SN1D
B	600	200	20	0.65	-55 to +125	BLM18BD601SN1D
B	1000	100	10	0.85	-55 to +125	BLM18BD102SN1D
B	1800	50	5	1.50	-55 to +125	BLM18BD182SN1D

BLM21 series, 2.0mm x 1.25mm (0805)

Type	Typ. Impedance at 100MHz (Ω)	Rated Current (mA)	Maximum Signal Frequency (MHz)	Max. DC Resistance (Ω)	Operating Temperature Range (°C)	Manf. Part No. & Anglia Order Code
P	30	3000	-	0.015	-55 to +125	BLM21PG300SN1D
P	220	2000	-	0.05	-55 to +125*	BLM21PG221SN1D
A	120	200	-	0.15	-55 to +125	BLM21AG121SN1D
A	120	200	-	0.40	-55 to +125	BLM21AF121SN1D
A	400	200	-	0.85	-55 to +125	BLM21AJ401SN1D
A	600	200	-	0.30	-55 to +125	BLM21AG601SN1D
A	600	200	-	1.10	-55 to +125	BLM21AJ601SN1D
A	1000	200	-	0.45	-55 to +125	BLM21AG102SN1D
A	1000	200	-	0.45	-55 to +85	BLM21AH102SN1D
B	5	500	-	0.07	-55 to +125	BLM21BB050SN1D
B	75	200	100	0.25	-55 to +125	BLM21BB750SN1D
B	200	200	50	0.35	-55 to +125	BLM21BB201SN1D
B	420	200	20	0.30	-55 to +125	BLM21BD421SN1D
B	600	200	20	0.35	-55 to +125	BLM21BD601SN1D
B	750	200	20	0.40	-55 to +125	BLM21BD751CN1D
B	1000	200	10	0.40	-55 to +125	BLM21BD102SN1D
B	2250	200	5	0.60	-55 to +125	BLM21BD222SN1L
B	2700	200	5	0.80	-55 to +125	BLM21BD272SN1L

BLM31 series, 3.2mm x 1.6mm (1206)

Type	Typ. Impedance at 100MHz (Ω)	Rated Current (mA)	Max DC Resistance (Ω)	Operating Temperature Range (°C)	Manf. Part No. & Anglia Order Code
P	50	3000	0.025	-55 to +125*	BLM31PG500SN1L
P	120	3000	0.025	-55 to +125*	BLM31PG121SN1L
P	600	1500	0.09	-55 to +125*	BLM31PG601SN1L
A	26	500	0.05	-55 to +125	BLM31AJ260SN1L
A	70	200	0.15	-55 to +125	BLM31AF700SN1L
A	600	200	0.90	-55 to +125	BLM31AJ601SN1L
B	600	200	0.09	-55 to +125	BLM31BE601SN1L
B	600	300	0.35	-55 to +125	BLM31BE601FN1L

BLM41 series, 4.5mm x 1.6mm (1806)

Type	Typ. Impedance at 100MHz (Ω)	Rated Current (mA)	Max. DC Resistance (Ω)	Operating Temperature Range (°C)	Manf. Part No. & Anglia Order Code
P	60	6000	0.01	-55 to +125*	BLM41PG600SN1L
P	75	3000	0.025	-55 to +125*	BLM41PG750SN1L
P	80	1000	0.10	-55 to +125	BLM41PF800SN1L
P	1000	1500	0.09	-55 to +125*	BLM41PG102SN1L
A	80	500	0.10	-55 to +125	BLM41AF800SN1L
A	150	200	0.50	-55 to +125	BLM41AF151SN1L

* derating required above 85°C

TYPE DESIGNATION : **A** = general, **B** = high frequency, **P** = high current

MURATA type BL

EMIFIL®

A range of ferrite bead inductors available with axial or radial lead forms. The radial type is also available with either a single or double bead to provide more effective suppression. Suitable for use in high frequency suppression applications e.g. for damping of ringing/overshoot.



- ◆ Choice of axial or radial
- ◆ Radial type available with double bead for more effective suppression
- ◆ Option of loose or taped

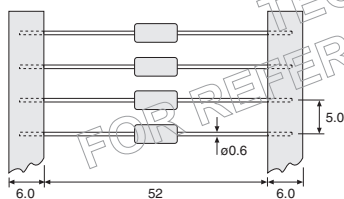
Specification

Voltage drop 30mV max.
 Insulation resistance 100MΩ min.
 Operating temperature range -25°C to +85°C

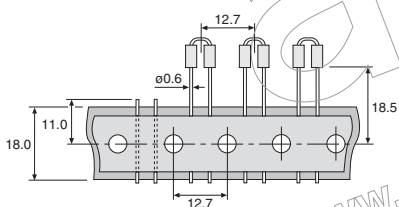
Packaging

TAPED

BL01RN1A1F1J (reeled)



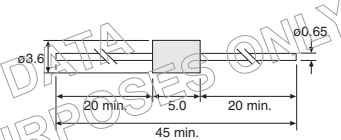
BL02RN2R1P1A/BL03RN2R1P1A (boxed)



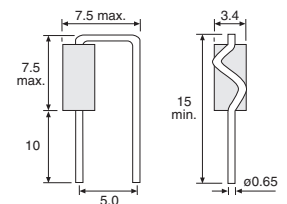
Dimensions (mm)

LOOSE

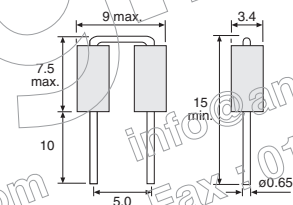
BL01RN1A1D2B



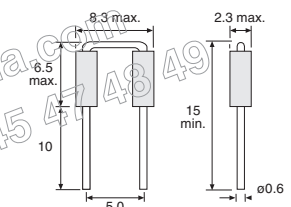
BL02RN1R2M2B



BL02RN2R1M2B



BL03RN2R1M1B



Bead Form	Effective Frequency Range (Z=50Ω)	Current Rating (A)
AXIAL		
Single	20MHz to 1000MHz	7*
RADIAL		
Single	20MHz to 1000MHz	7*
Double	4MHz to 1000MHz	7*
Double	12MHz to 1000MHz	6

Murata Part No. & anglia Order Code	
Loose	Taped
BL01RN1A1D2B	BL01RN1A1F1J
BL02RN1R2M2B	-
BL02RN2R1M2B	BL02RN2R1P1A
BL03RN2R1M1B	BL03RN2R1P1A

* 6A for taped part

Panasonic

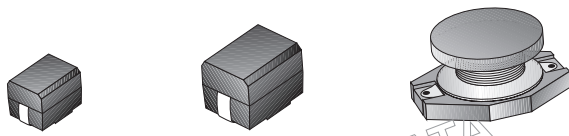
A range of Panasonic Ferrite Bead Inductors is also available from Anglia. For the very latest information visit our website : www.anglia.com/panasonic

Alternatively, contact our Sales Desk to discuss your specific requirements.

Further inductive products are shown in the Inductors section of this guide

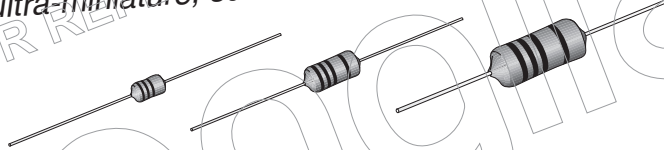
▶ **Surface Mount Inductors**

(chip sizes from 0402 to 2220 + power SMD)



▶ **Axial Inductors**

(ultra-miniature, sub-miniature & miniature)



▶ **Radial Inductors**

(5mm pitch)



anglia
FOR REFERENCE PURPOSES ONLY
www.anglia.com
Tel : 01945 47 47 47
info@anglia.com
Fax : 01945 47 48 49

Chokes
shown overleaf > > >