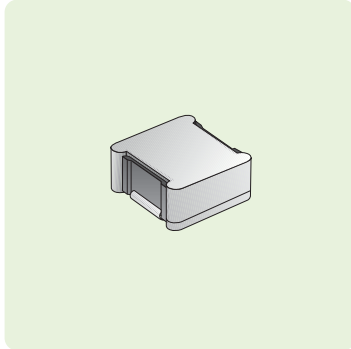




PANASONIC type PCC-N6

Surface mount power choke coils in a compact package with a height of only 5.7mm. The chokes have a saturation current capability of up to 25A and are available in a range of inductance values from 1.8µH to 12.5µH. Designed for use in DC/DC converters and power supplies, the devices are supplied taped and reeled.

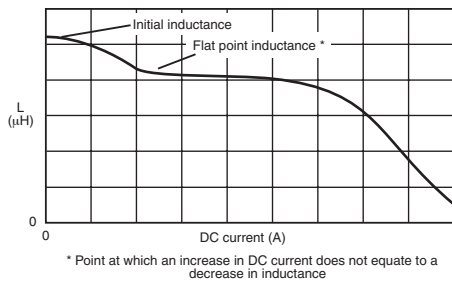


- ◆ **High power**
- ◆ Saturation current up to **25A**
- ◆ Inductance values from **1.8µH to 12.5µH**
- ◆ Low profile and compact **5.7mm high**
- ◆ Low leakage flux
- ◆ For DC/DC converters and power supplies
- ◆ Supplied taped & reeled

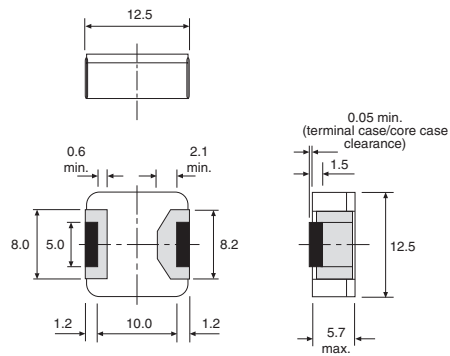
Specification

Inductance tolerance
 ≤4.1µH ±30%
 >4.1µH ±25%
 Test frequency 100kHz

DC Bias Characteristics



Dimensions (mm)



Inductance (µH)		Saturation Current (A) min.		DC Resistance (mΩ) max.
Initial at 25°C	Flat Point at 25°C	at 25°C	at 100°C	
1.8	0.8	25.2	20.0	2.24
1.9	1.0	19.4	15.4	2.24
2.3	1.2	14.3	11.7	2.24
2.5	1.3	18.6	15.8	3.3
2.8	1.6	14.9	12.2	3.3
3.1	2.0	15.1	12.1	4.92
3.5	2.0	10.7	8.7	3.3
3.6	2.5	11.3	9.3	4.92
4.1	2.9	12.0	10.0	6.48
4.8	3.2	8.6	7.1	4.92
6.6	4.6	7.3	6.0	6.48
8.3	6.4	6.2	5.2	8.64
10.4	8.2	5.6	4.7	10.9
12.5	10.2	4.7	4.0	13.3

Manf. Part No. & Anglia Order Code
ETQP6F0R8LFA
ETQP6F1R0SFA
ETQP6F1R2HFA
ETQP6F1R3LFA
ETQP6F1R6SFA
ETQP6F2R0LFA
ETQP6F2R0HFA
ETQP6F2R5SFA
ETQP6F2R9LFA
ETQP6F3R2HFA
ETQP6F4R6HFA
ETQP6F6R4HFA
ETQP6F8R2HFA
ETQP6F102HFA