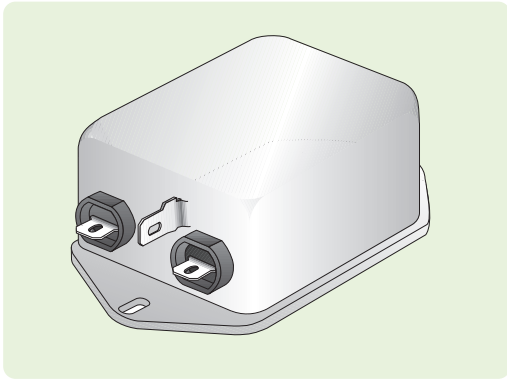


## SCHAFFNER type FN2010 (single phase, one stage)

A series of chassis mounting mains filters, designed for general purpose applications, and available in a variety of current rating from 1A to 20A. Fitted with a bleed resistor to discharge residual energy when pins are exposed. Housed in an all metal case, terminations are by 6.35mm (0.25in) fast-on tabs at each end of the body.



- ◆ Chassis mounting mains filters
- ◆ Current ratings from 1A to 20A
- ◆ Suitable for general purpose filtering
- ◆ Fitted bleed resistor
- ◆ Fast-on tabs terminations



### Specification

Voltage rating .....	250Vac
Line frequency .....	50/60Hz
Max. leakage .....	0.4mA/phase
Hipot test (1 min.)	
LN to E .....	2000Vac
L to N .....	1700Vdc
Capacitance	
Cx .....	0.1µF(X)
Cy .....	4700pF(Y) x 2
Inductance	
L .....	as listed
Resistance	
R .....	1MΩ
Weight .....	as listed
Operating temperature range .....	-25°C to +85°C

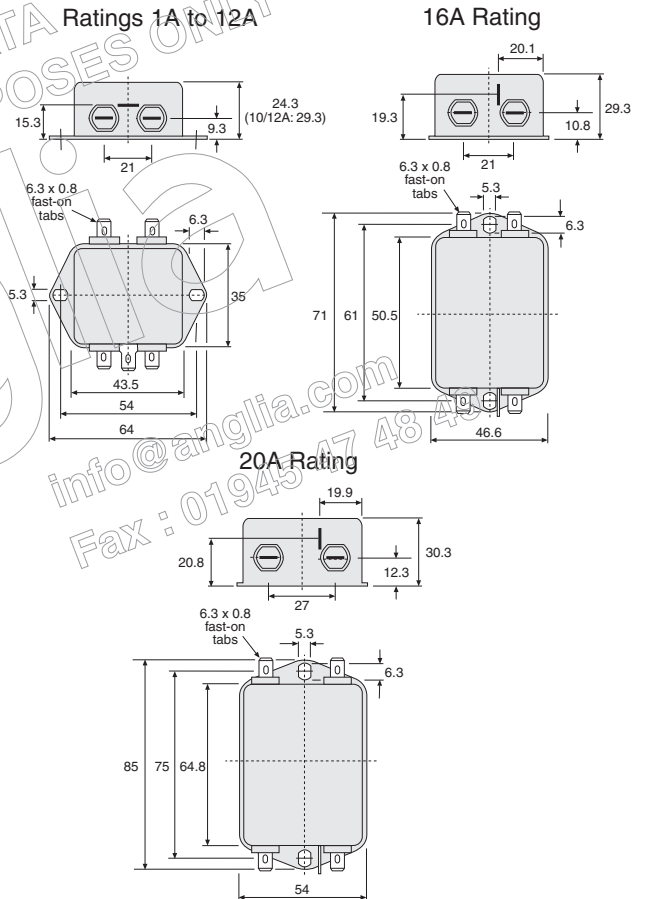
Current Rating (Aac) at 40°C	Inductance (mH)		Weight (g)	Manf. Part No. & Anglia Order Code
	L			
<b>FN2010</b>				
1	12		65	FN2010-1/06
3	2.5		65	FN2010-3/06
6	1		65	FN2010-6/06
10	0.8		85	FN2010-10/06
12	0.7		85	FN2010-12/06
16	0.65		140	FN2010-16/06
20	0.6		210	FN2010-20/06

### ||| SCHÄFFNER FACTORY OPTIONS

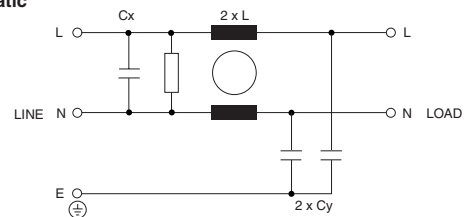
- Without Y capacitors, for medical applications
- Lower capacitance safety types
- Wire leads in place of fast-on tabs

Please contact our Sales Desk for details.

### Dimensions (mm)



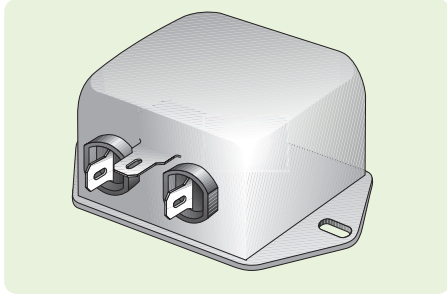
### Schematic



A RANGE OF PUSH-ON CRIMP TERMINALS IS SHOWN IN THE CONNECTORS SECTION

**SCHAFFNER type FN610 (single phase, one stage)**

A series of chassis mounting mains filters, designed for general purpose applications, and available in a variety of current ratings from 1A to 20A. Housed in an all metal case, terminations are by 6.35mm (0.25in) fast-on tabs at each end of the body.



- ◆ Chassis mounting mains filters
- ◆ Current ratings from **1A to 20A**
- ◆ Suitable for general purpose filtering
- ◆ Fast-on tab terminations



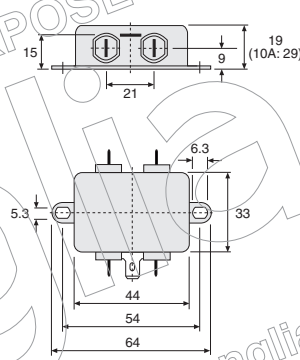
**Specification**

Voltage rating .....	250Vac
Line frequency .....	50/60Hz
Max. leakage .....	0.19mA/phase
Hipot test (1 min.)	
LN to E .....	2000Vac
L to N .....	1700Vdc
Capacitance	
Cx .....	0.033µF(X)
Cy .....	2200pF(Y) x 2
Inductance	
L .....	as listed
Weight .....	as listed
Operating temperature range .....	-25°C to +85°C

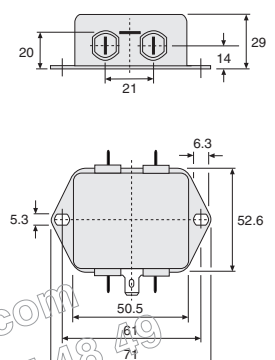
Current Rating (Aac) at 40°C	Inductance (mH)		Weight (g)	Manf. Part No. & Anglia Order Code
	L			
<b>FN610</b>				
1	3		55	<b>FN610-1/06</b>
3	2		60	<b>FN610-3/06</b>
6	0.75		60	<b>FN610-6/06</b>
10	0.45		85	<b>FN610-10/06</b>
20	0.48		220	<b>FN610-20/06</b>

**Dimensions (mm)**

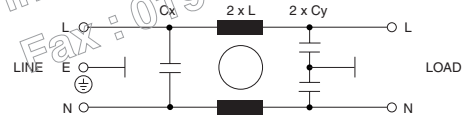
**Ratings 1A to 10A**



**20A Rating**



**Schematic**



**SCHAFFNER FACTORY OPTIONS**

- Fitted bleed resistor, for discharging residual energy when terminals are exposed
- Fitted bleed resistor but without Y capacitors, for medical applications
- Wire leads in place of fast-on tabs

Please contact our Sales Desk for details.

**SCHAFFNER**

For the very latest information and news on the full range of SCHAFFNER products available from Anglia, visit our website :

[www.anglia.com/schaffner](http://www.anglia.com/schaffner)

Alternatively, contact our Sales Desk to discuss your specific requirements.

**FN612**

A similar series to FN610 but with fitted bleed resistor, and offering a good differential mode attenuation, is available to special order. Please contact our Sales Desk for details.

A RANGE OF PUSH-ON CRIMP TERMINALS IS SHOWN IN THE CONNECTORS SECTION