

SPECIFICATIONS

RATING:0.3A 50V DC

Contact Resistance:30mΩ

Insulation Resistance:100V DC 1Min 100mΩ

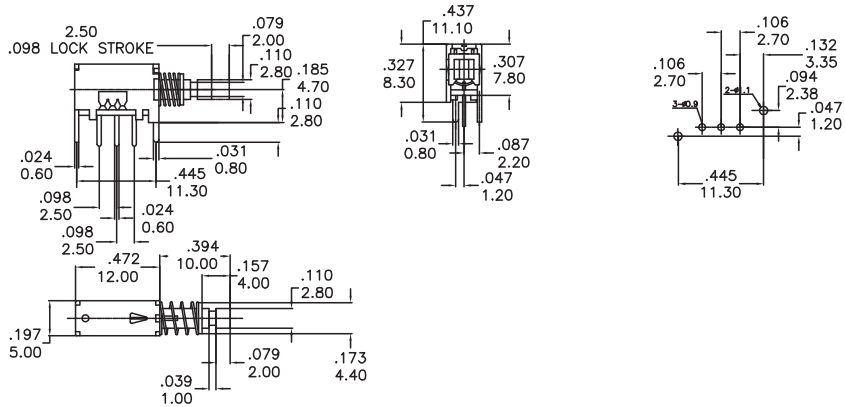
Withstand Voltage:AC 500V 1Min 0.5mA 1 Min

Operating Force:160gf±100gf

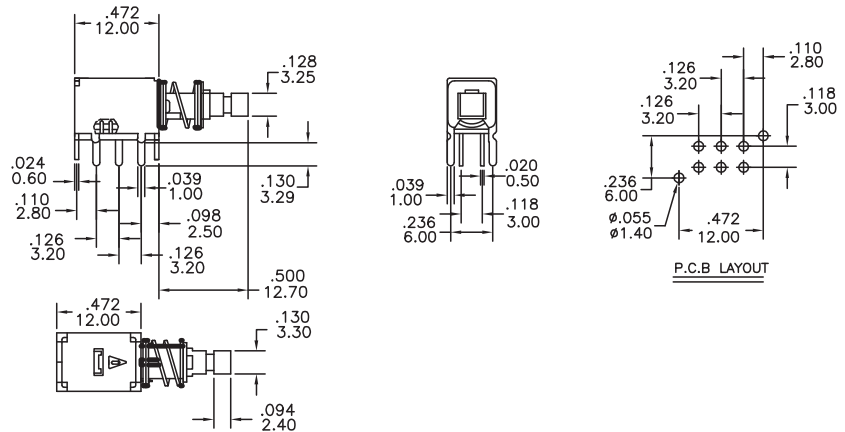
Life Test:10,000 Cycle 15~18 Cycle/Min



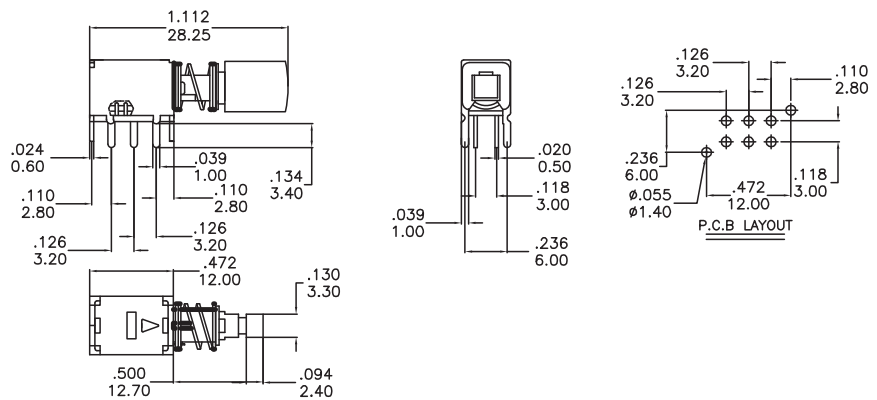
WPM-1PLB



WPM-2PLBY

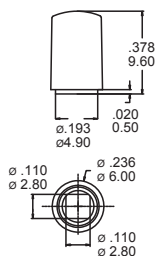


WPM-2PLBY-R759B

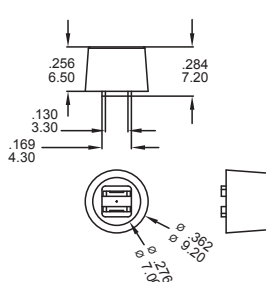


CAP OPTIONS

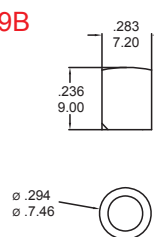
R69B



R837B



R759B



R88B

