

HF 3505A (JA3505A)

FOG-LAMP CONTROLLER



Typical Applications

Rear Fog Lamp control

Features

- Special integrate circuit, good performance
- Solid base design, stable structure

CHARACTERISTICS

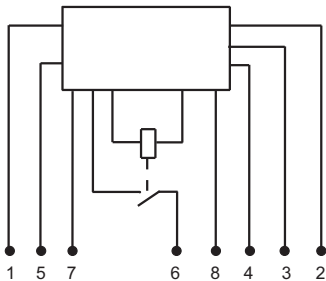
Norminal voltage	12VDC
Operating voltage range	9VDC to 16VDC
Contact rating	Lamp: 15A 13.5VDC
	Lamp: 5A 13.5VDC
Electrical endurance	5×10 ⁴ OPS (at nomi. vol.)
Ambient temperature	-40°C to 85°C

Vibration resistance	10Hz to 200Hz 49m/s ²
Shock resistance	196m/s ²
Weight	Approx. 35g
Mechanical data	Cover retention: 250N min.
	Terminal retention: 100N min.

OUTLINE DIMENSIONS AND WIRING DIAGRAM

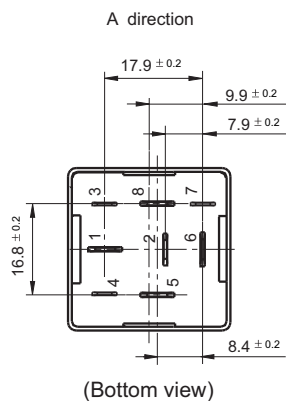
Unit: mm

Wiring Diagram

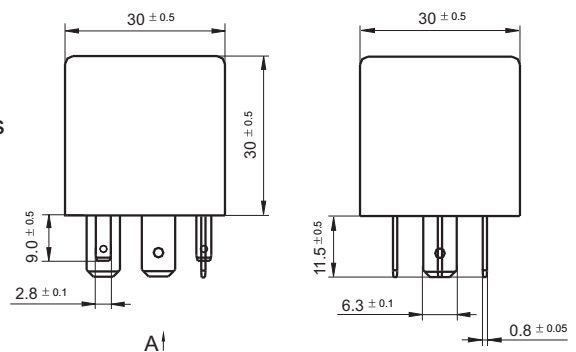


1. As shown in left wiring diagram, for HF3505A, terminal 1 is connected with anode of 12VDC, terminal 8 with cathode, Terminal 2,3,4 are input terminals for signal, terminal 5 is input terminal for triggering or turing-off signal, terminal 6 is load contacting terminal, terminal 7 is resetting signal terminal.
2. Automotive fog lamp controlling: either one of terminal 2,3,4 gets enable signal (high potential 9VDC to 16VDC), and holds this signal, once terminal 5 gets triggering signal (up trigger), the lamp load statue will be changed, from off to on, or from bright to off, if triggered again and again, it would change in cycle.
3. Terminal 7 reset after switching off of operate voltage, inner relay switch off, and load turns off.

Terminal Layout



Outline Dimensions



HONGFA RELAY

ISO9001, ISO/TS16949, ISO14001, OHSAS18001, IECQ QC 080000 CERTIFIED

2008 Rev. 1.00