



SMD Crystal Oscillator - SMD 5032

SMD Version - 5.0 x 3.2 x 1.3mm

● Features

- High performance
- Low cost
- RoHS compliant

● General Specification

Type		SMD 5.0 x 3.2	
Frequency Range		1.00MHz to 150.00MHz	
Frequency Stability (Overall)		± 10ppm to ± 100ppm	
Input	Current Consumption	25mA (1.000 - 35.999MHz) 60mA (36.00 - 69.999MHz) 80mA (70.00 - 150.00MHz)	20mA (1.000 - 35.999MHz) 40mA (36.00 - 69.999MHz) 60mA (70.00 - 150.00MHz)
	Supply Voltage	5.0V± 10%	3.3V ± 10%
Temperature Range	Operating	-10 to +60°C or custom-designed	
	Storage	-40 to +85°C or custom-designed	
Output	Waveform	TTL	HCMOS
	Load	10TTL	15pF
	Symmetry	40/60% or 45/55%	
	Rise Time	TR	10nS max.
	Fall Time	TF	10nS max.
	Voltage	VoH	TTL: 2.4V min
VoL		TTL: 0.4V max	HCMOS: 0.1V max
Tri-State Function (Pin 1)		Enable: Tri-state Disable: NC	
Start-Up Time		10mS max	
Aging First Year		± 5ppm max	

SMD Crystal Oscillator - SMD 5032

● Frequency Stability Codes (ppm)

1 = ± 20	2 = ± 25	3 = ± 30	4 = ± 50	5 = ± 100	7 = ± 35
8 = ± 15	a = ± 10	b = ± 70			

* Frequency stability includes stability at 25°C, operating temperature range, supply voltage and aging 1st year.

● Operating Temperature Range Codes(°C)

1 = 0 to +70	2 = -10 to +70	3 = -20 to +70	4 = -40 to +85	5 = -10 to +60	6 = -20 to +60
7 = 0 to +100	8 = 0 to +60	9 = -30 to +65	A = -55 to +125	B = -30 to +80	C = -10 to +50

● Marking

Frequency + C (Holder: CXO) + Date code (Year Code + Month Code)

NEWXTAL (Company brand)

Year Code:

2001	2002	2003	2004	2005	2006	2007	2008	2009	2010	2011	2012
1	2	3	4	5	6	7	8	9	10	11	12

Month Code:

Jan	Feb	March	Apr	May	June	July	August	September	October	Nov	December
A	B	C	D	E	F	G	H	I	J	K	L

For Example:



● Ordering Information

Holder	Type	SMD Size	Stability (ppm)	Temperature (°C)	Input voltage (V)	Tri-state	Symmetry	Pullability (ppm)	Frequency	Lead-free	Packing
C= CXO	S=SMD	2=5.0x3.2	See tables		1=3.3 2=5.0	N = No T = Yes	45 = 45/55% 46 = 40/60%		xx.xxM	LF=leadfree	TR=tape & reel
			± 50	-10 to +70				N = N/A			
C	S	2	4	2	1	T	45	N		LF	TR

For Example: CS2421T45N-10.000MLF/TR

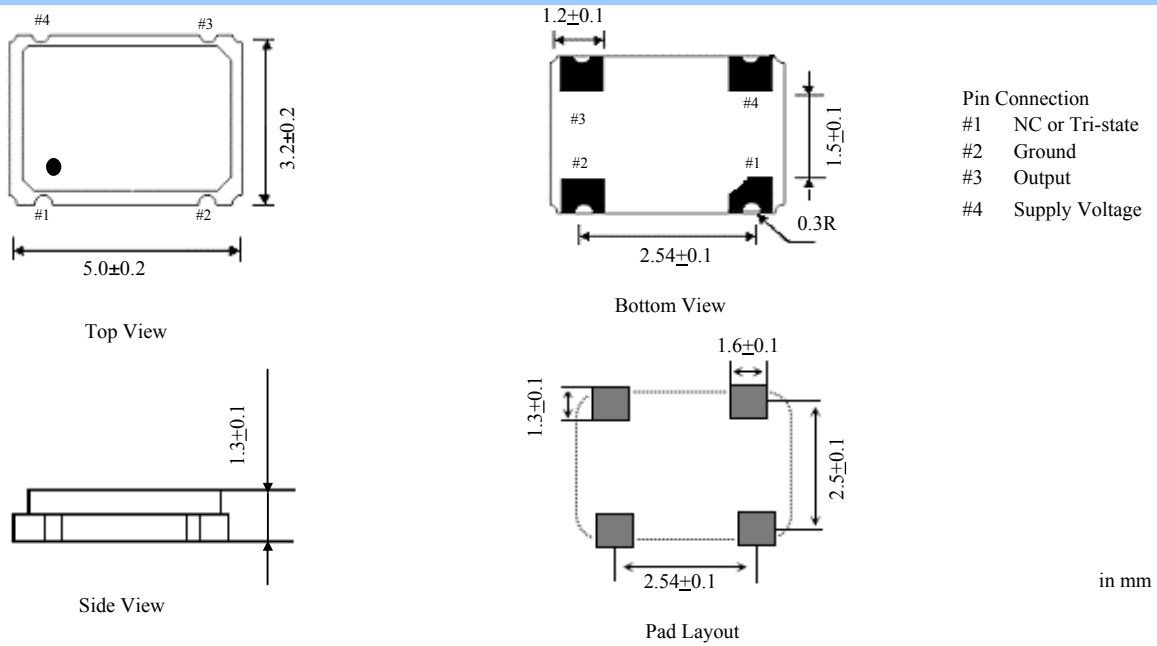
NEWXTAL - New Crystal

Website: www.newxtal.com

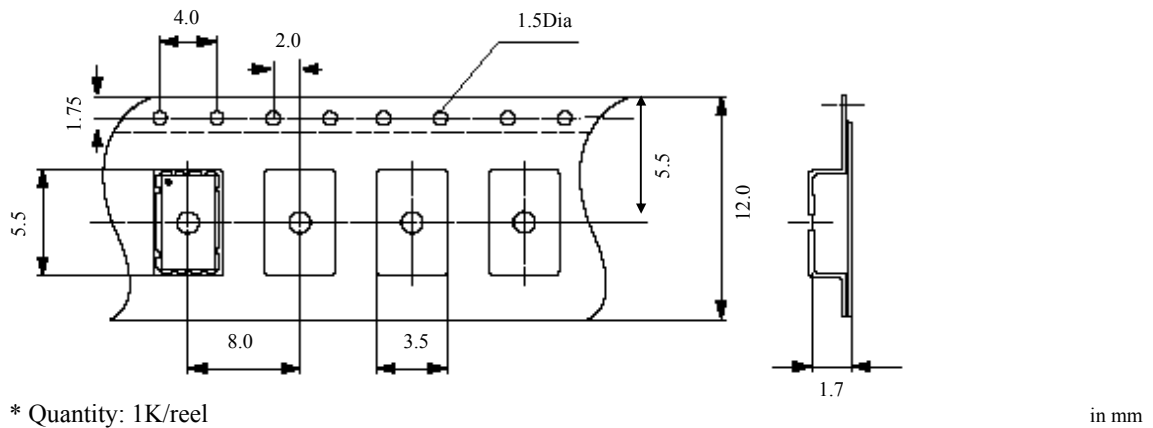
Email: sales@newxtal.com

SMD Crystal Oscillator - SMD 5032

Dimensions



Taping Specification



Reflow Soldering Profile

